

unidirectional pump - series XV

XV-OP

HY TYPE PUMP

Ø22 BODY-SHAPED FLANGE - MILLED SHANK

X 0 P 06 22 B B B A

Series	X	series XV
Group	0	group 0
Category	P	unidirectional pump
Displacement	06	0.76
Flange	22	Ø22 HY right rotation
Shaft	B	CF001 - Milled shank ø7 - thk.5
Body	IN	inlet - 1/4" GAS
	OUT	outlet - 1/4" GAS
Cover	A	standard



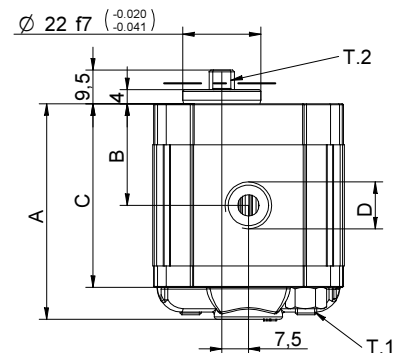
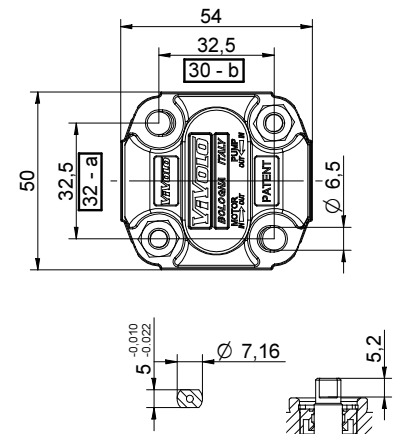
XP017

Technical data table

TYPE	Displacement cm3/rev	Max. Pressure		CODE	
		P1 bar	P3 bar	Left rotation	Right rotation
XV-OP/0.17	0,16	220	260	X 0 P 01 21 B B B A	X 0 P 01 22 B B B A
XV-OP/0.25	0,24	220	260	X 0 P 02 21 B B B A	X 0 P 02 22 B B B A
XV-OP/0.45	0,45	220	280	X 0 P 04 21 B B B A	X 0 P 04 22 B B B A
XV-OP/0.57	0,56	220	280	X 0 P 05 21 B B B A	X 0 P 05 22 B B B A
XV-OP/0.76	0,75	220	280	X 0 P 06 21 B B B A	X 0 P 06 22 B B B A
XV-OP/0.98	0,92	220	280	X 0 P 07 21 B B B A	X 0 P 07 22 B B B A
XV-OP/1.27	1,26	220	280	X 0 P 09 21 B B B A	X 0 P 09 22 B B B A
XV-OP/1.52	1,48	220	280	X 0 P 11 21 B B B A	X 0 P 11 22 B B B A
XV-OP/2.30	2,28	190	210	X 0 P 13 21 B B B A	X 0 P 13 22 B B B A

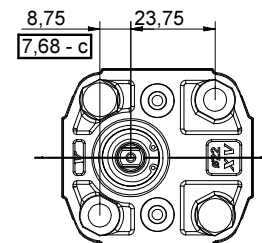
P1) Max. working pressure - P3) Max. peak pressure

For heavy-duty applications, it is recommended to check the admissible torque of the shaft



Dimensions table

TYPE	Weight kg	A	B	C	D	D
		mm	mm	mm	IN	OUT
XV-OP/0.17	0,400	55,8	26,2	46,8	1/4" BSPP	1/4" BSPP
XV-OP/0.25	0,410	56,4	26,5	47,4	1/4" BSPP	1/4" BSPP
XV-OP/0.45	0,420	58,0	27,3	49,0	1/4" BSPP	1/4" BSPP
XV-OP/0.57	0,430	59,0	27,8	50,0	1/4" BSPP	1/4" BSPP
XV-OP/0.76	0,440	60,5	28,5	51,5	1/4" BSPP	1/4" BSPP
XV-OP/0.98	0,460	62,0	29,3	53,0	1/4" BSPP	1/4" BSPP
XV-OP/1.27	0,480	64,5	30,5	55,5	1/4" BSPP	1/4" BSPP
XV-OP/1.52	0,500	66,5	31,5	57,5	1/4" BSPP	1/4" BSPP
XV-OP/2.30	0,560	72,5	34,5	63,5	1/4" BSPP	1/4" BSPP



07/12/04 XOP0622888A.dft

T.1 = 11.7÷13.7 [Nm] - screw tightening torque M6

T.2 = 9.2 [Nm] - admissible shaft torque (N.B. When choosing a shaft, always check the admissible torque).

NOTE: This type of pump is also interchangeable

with distance between centres of fastening in M5 (see dim. a, b, c).

Table of variations

XV-OP

ø22 "HY" Body-Shaped FLANGE

ø22 "HY" Body-Shaped FLANGE				Shaft				Cover			
Left rotation		Right rotation						Left rotation		Right rotation	
	21		22	CI001 - Parallel T.2 = 2.1 [Nm]	A	CF001 - Milled shank T.2 = 9.2 [Nm]	B			A	
	23		24	CF005 - Milled shank T.2 = 8.4 [Nm]	F	CO001 - Tapered T.2 = 21.9 [Nm]	E			B	
	25		26							C	
	27		28							D	

Displacement	
TYPE	CODE
XV-0P/0.17	01
XV-0P/0.25	02
XV-0P/0.45	04
XV-0P/0.57	05
XV-0P/0.76	06
XV-0P/0.98	07
XV-0P/1.27	09
XV-0P/1.52	11
XV-0P/2.30	13

Standard bodies				
Displacement cm ³ /rev	Standard threads			
	0.17	B - B	Z - B	Z - Z
0.25	B - B	Z - B	Z - Z	
0.45	B - B	Z - B	Z - Z	
0.57	B - B	Z - B	Z - Z	
0.76	B - B	Z - B	Z - Z	
0.98	B - B	Z - B	Z - Z	
1.27	B - B	Z - B	Z - Z	
1.52	B - B	Z - B	Z - Z	
2.30	B - B	Z - B	Z - Z	

Table showing standard flange and thread combinations available in stock

		N	
Internal drainage			
		O	
External drainage			

Body (threads/flanges)													
	A		B		C		D		E		F		G
	H		I	Closed Body		Z							